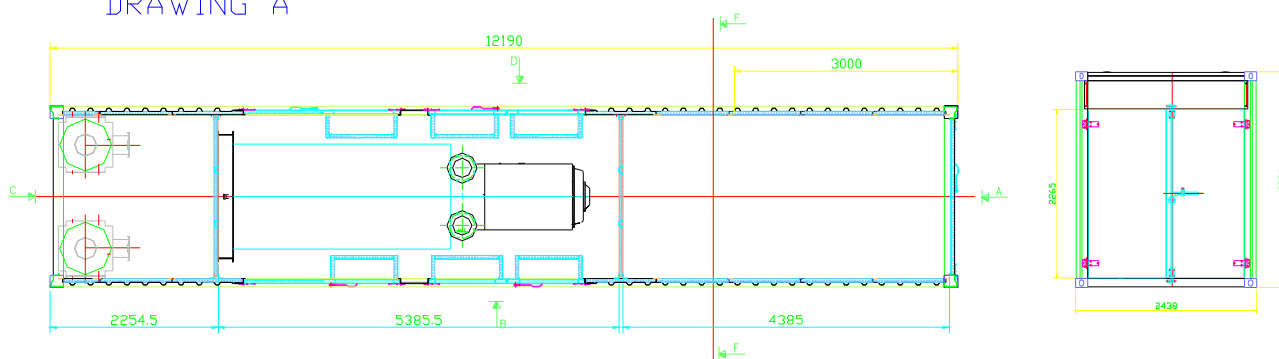
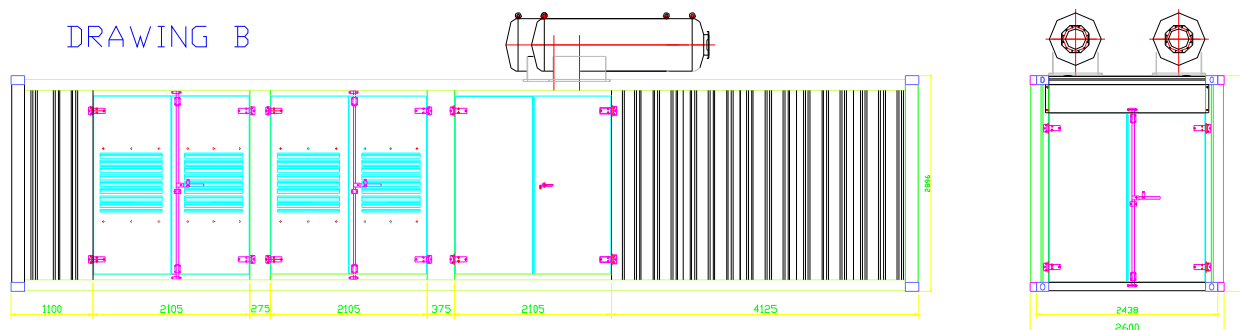


TECHNICAL DATA - 40' ft. CONTAINER

DRAWING A



DRAWING B



GENERALITY

Green Power containers are made up of a single body. The dimensions of the containers comply with ISO 668. The base is made of cold-pressed steel sections. To the edges of the frame are placed No. 4 corner fittings, according to ISO template. The corner fittings are suitable to allow the landing of the container on trucks equipped with standard twist-lock. The floor is made of a plate, 3+2 mm of thickness, which is welded on the structure.

WALLS AND ROOF INSULATION

The wall and roof insulation is made of Mineral wool, Class 1 fire reaction, and density 100 kg cubic meter with metallic protection (galvanized stretched sheet iron). The sound level is 70 dBA ±3 at 7 mt.

PAINTING

- 1) On the inner surface, visible:
 - Application of a layer of epoxidic primer, 60 micron thick
 - Application of polyurethane enamel, 60 micron thick
- 2) In the external surfaces:
 - External treatment of the sheet with sandblasting SA 2.5 carried out in automatic plant and through turbines
 - Application of a layer of inorganic galvanizing material, 60 micron thick (optional).

COOLING SYSTEM

The cooling of the generator sets is assured by a system of air input/output made by using modalities that differ according to the type of the motor to be installed, to the level of the residual noise that you wish to reach or to other variables.

In the simplest cases, the cooling of the generator sets is made by using the following air change system:

- intake of cold air through openings protected by suitable silencers and equipped with fixed-wings grids. Such openings are made on one or more doors for each side.
- Upward air ejection through an opening made on the container roof.

SILENCER

The silencer is placed on the roof of the container. According to the engines, the silencers can be either one or two and placed inside or outside the container – see drawings A-B.

EARTHING PLANT

All electric equipment and all the installed fittings are regularly connected to a proper earthing plant. The plant will be connected to the external net by means of two bolts of stainless steel, mm 12.

OPTIONS OF REQUEST

- container surfaces made of stainless steel - fire system - Gas detection system - Ventilation system - Air conditioning system - Hydraulic lifting system for the container lifting
- Sand or dust filters - Insertion and fastening of the generator set - Electrical, hydraulic and exhaust gas pipeline connections, etc.

Il responsabile di progetto: Ing. Lorenzo Santucci