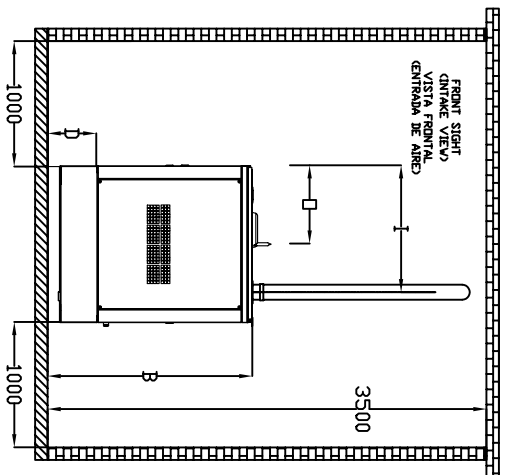
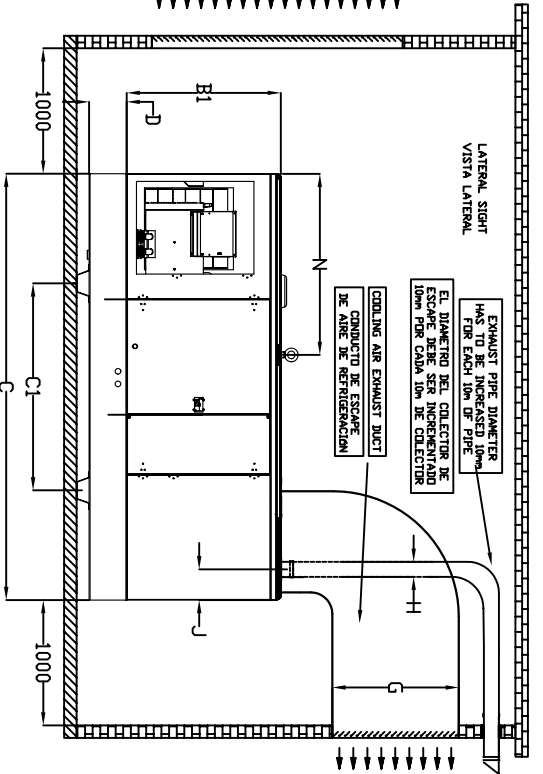
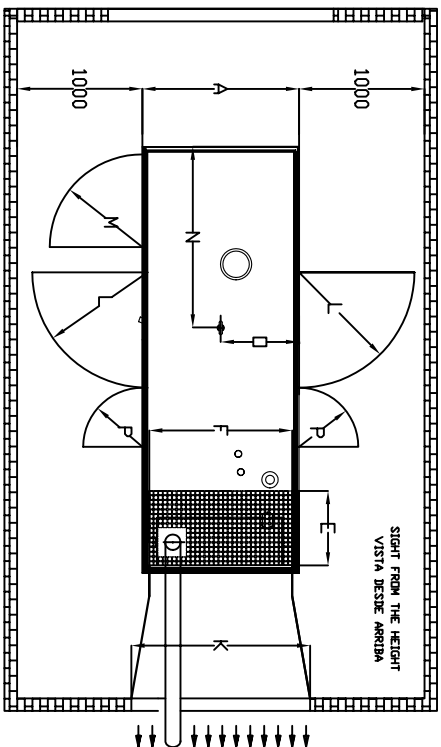


COOLING AIR INTAKE
ENTRADA DE AIRE



	GSW145/170D
A (mm)	1245
B (mm)	1633
BI (mm)	1230
C (mm)	3400
CI (mm)	1650
D (mm)	300
E (mm)	594
F (mm)	1140
G (mm)	928
H (mm)	140
I (mm)	1002
J (mm)	245
K (mm)	1425
L (mm)	919
M (mm)	739
N (mm)	1443
O (mm)	620
P (mm)	472

COOLING AIR INTAKE
ENTRADA DE AIRE



NOTE: GENERATING SET MUST BE LOCATED WITH, AT LEAST, ONE METER FREE SPACE AROUND FOR MAINTENANCE WORK
SURFACE OF COOLING AIR INTAKE LOUVERS MUST BE, AT LEAST, TWICE SURFACE OF COOLING AIR EXHAUST LOUVERS
NOTA: EL GENERADOR DEBE SITUARSE CON, AL MENOS, UN METRO LIBRE ALREDEDOR PARA TRABAJOS DE MANTENIMIENTO
LA SUPERFICIE DE REJILLA DE REFRIGERACION DE ENTRADA DEBE SER, AL MENOS, DOS VECES LA SUPERFICIE DE LA REJILLA DE SALIDA DE AIRE

MODEL/ MODELO	PRIME POWER ENGINE	ALTERNATOR MOTOR	FUEL TANK (LIT)	WEIGHT (KG)
GSW145D	135	BFM1013E UC0274E	340	2180
GSW170D	159	BFM1013E UC0274E	340	2250

MODEL/ MODELO	COMBUSTION	AIR FLOW/GAUDALES DE AIRE (M3/H)	COOLING AIR	EXHAUST GASES	FUEL CONSUMPTION/ CONSUMO DE COMBUSTIBLE (L/H)	75% LOAD	100% LOAD
GSW145D	484.2	9000	1453.8	21.9	24.5	29.2	32.7
GSW170D	607.2	10800	1602	24.5	24.5	29.2	32.7

* IF IN DOUBT ASK DO NOT SCALE / EN CASO DE DUDA PREGUNTAR NO ESCALAR
* RECOMMENDED INSTALLATION DIMENSIONS FOR STANDARD CONFIGURATION / DIMENSIONES DE INSTALACION RECOMENDADAS PARA CONFIGURACION ESTANDAR
* THE PRODUCER RESERVES THE RIGHT OF MODIFYING THE DIMENSIONS REPRESENTED IN THIS PLANE WITHOUT PRIOR NOTICE
* EL FABRICANTE SE RESERVA EL DERECHO DE MODIFICAR LAS DIMENSIONES REPRESENTADAS EN ESTE PLANO SIN PREVIO ANUNO

2006	DATE	NAME
Drawn		
Checked	16-05-06	
Examined		

RECOMMENDED INSTALLATION DIMENSIONS

SOUNDPROOF GENSET

GSW145 - 170D 1.500 RPM



No P16GSW145-170D_300

Replaced by