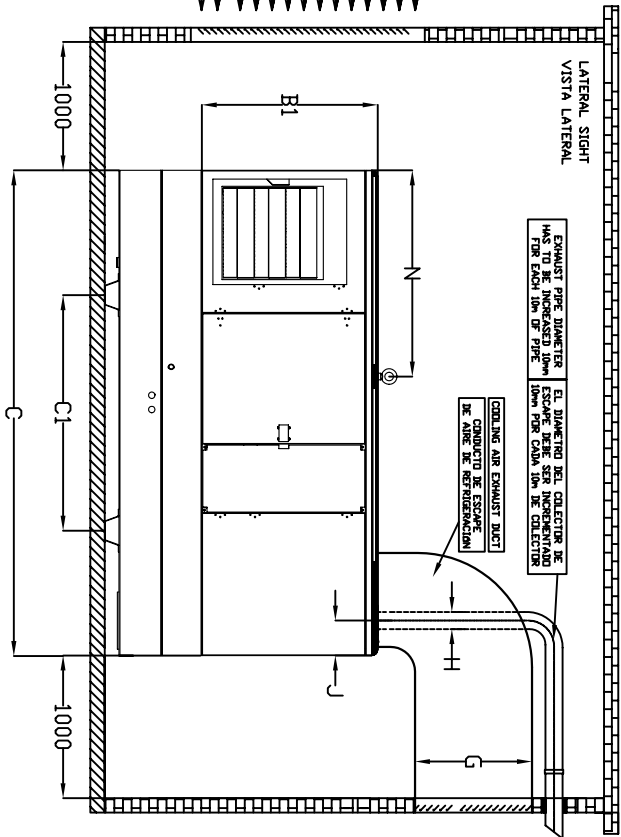


BACK SIGHT  
(EXHAUST VIEW)  
VISTA TRASERA

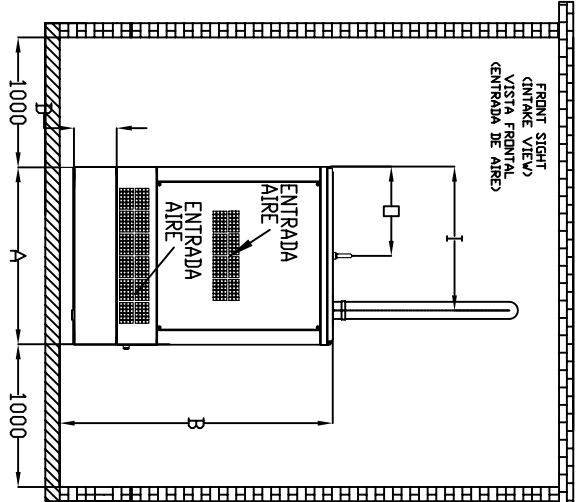


LATERAL SIGHT  
VISTA LATERAL

EXHAUST PIPE DIAMETER EL DIAMETRO DEL COLECTOR DE ESCAPE DEBE SER INCREMENTADO 10mm POR CADA 10m DE COLECTOR

COOLING AIR EXHAUST DUCT CONDUCTO DE ESCAPE DE AIRE DE REFRIGERACION

COOLING AIR INTAKE  
ENTRADA DE AIRE



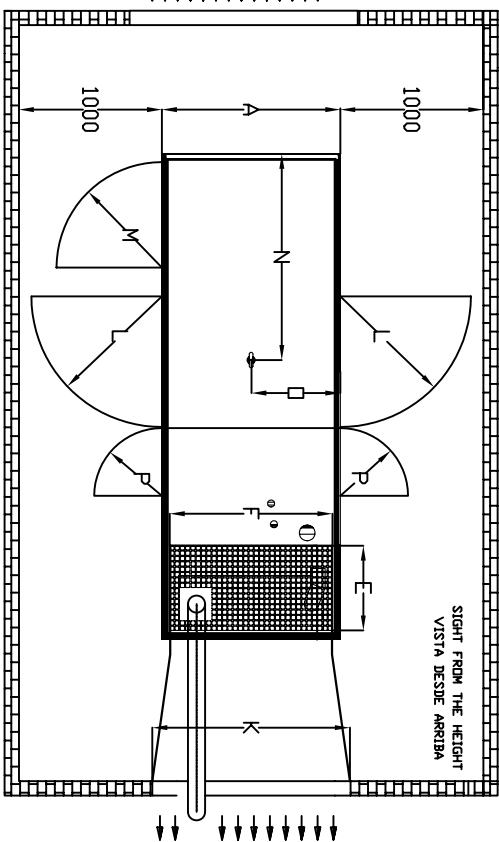
FRONT SIGHT  
(INTAKE VIEW)  
VISTA FRONTAL  
(ENTRADA DE AIRE)

	GSV1950	GSV220V
A (mm)	1240	1240
B (mm)	1914	1914
B1 (mm)	1232	1232
C (mm)	3400	3400
C1 (mm)	1650	1650
D (mm)	300	300
E (mm)	594	594
F (mm)	1140	1140
G (mm)	928	928
H (mm)	160	160
I (mm)	101	101
J (mm)	245	245
K (mm)	1385	1385
L (mm)	915	915
M (mm)	1445	1445
N (mm)	1445	1445
O (mm)	655	655
P (mm)	474	474

MODEL/ MODELO	PRIME POWER ENGINE MOTOR	ALTERNATOR ALTERNADOR	FUEL TANK (LITR) DEPÓSITO DE COMBUSTIBLE	WEIGHT (KG) PESO (KG)
GSW195V	166	710	UC27146	340
GSW220V	194	720E	UC2724H	340

MODEL/ MODELO	COMBUSTION	COOLING AIR	EXHAUST GASES	FUEL CONSUMPTION/ CONSUMO DE COMBUSTIBLE (L/H)	FUEL CONSUMPTION/ CONSUMO DE COMBUSTIBLE (100% LOAD)	FUEL CONSUMPTION/ CONSUMO DE COMBUSTIBLE (100% LOAD)
GSW195V	654	11180	1886	752	295	38.3
GSW220V	708	11180	2034	32.4	32.4	43.3

COOLING AIR INTAKE  
ENTRADA DE AIRE



SIGHT FROM THE HEIGHT  
VISTA DESDE ARRIBA

NOTE: GENERATING SET MUST BE LOCATED WITH, AT LEAST, ONE METER FREE SPACE AROUND FOR MAINTENANCE WORK SURFACE OF COOLING AIR INTAKE LOUVERS MUST BE, AT LEAST, TWICE SURFACE OF COOLING AIR EXHAUST LOUVERS  
NOTA: EL GENERADOR DEBE SITUARSE CON, AL MENOS, UN METRO LIBRE ALREDEDOR PARA TRABAJOS DE MANTENIMIENTO LA SUPERFICIE DE REJILLA DE REFRIGERACION DE ENTRADA DEBE SER, AL MENOS, DOS VECES LA SUPERFICIE DE LA REJILLA DE SALIDA DE AIRE

\* IF IN DOUBT, ASK DO NOT SCALE / EN CASO DE DUDA, PREGUNTAR, NO ESCALAR  
\* RECOMMENDED INSTALLATION DIMENSIONS FOR STANDARD CONFIGURATION / DIMENSIONES DE INSTALACION RECOMENDADAS PARA CONFIGURACION ESTANDAR  
\* THE PRODUCER RESERVES THE RIGHT OF MODIFYING THE DIMENSIONS REPRESENTED IN THIS PLANO WITHOUT PRIOR NOTICE EL FABRICANTE SE RESERVA EL DERECHO DE MODIFICAR LAS DIMENSIONES REPRESENTADAS EN ESTE PLANO SIN PREVIO AVISO

2006	DATE	NAME
Drawn		
Checked	16-05-06	
Examined		
SCALE		
RECOMMENDED INSTALLATION DIMENSIONS		
SOUNDPROOF GENSET		
GSW195 - 220 V 1500 RPM		
Replacing		No P165W195-220V 300
Replaced by:		

