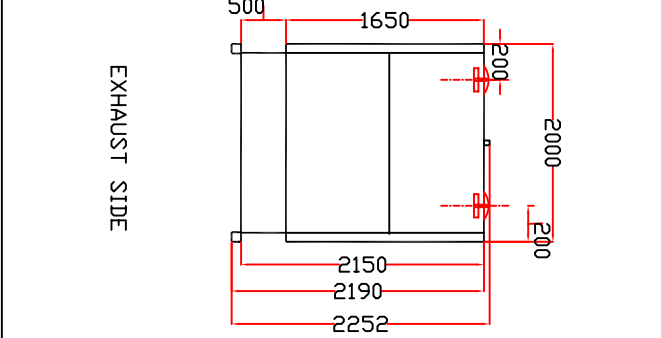
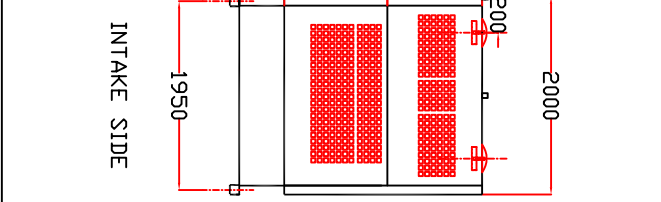
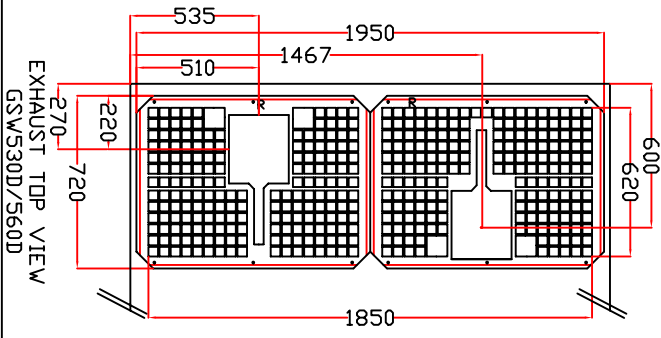


AIR FLOWS /M <sup>3</sup> /H	GSW530D	GSW560D	FUEL CONS. /L/H	GSW530D	GSW560D
EXHAUST GASES	4765	5377	100% LOAD	94.6	108.9
COMBUSTION	2092	1848	75% LOAD	73.3	84.9
COOLING AIR	30000	41000	50% LOAD	-	-



GSW	ENGINE	ALTERNATOR	WEIGHT (KG)
GSW530D	BF8M1015C2	HCI 544D	4.105
GSW560D	BF8M1015CP	HCI 544D	5.025

NOTE: GENERATING SET MUST BE LOCATED WITH, AT LEAST, ONE METER FREE SPACE AROUND FOR MAINTENANCE WORK  
 SURFACE OF COOLING AIR INTAKE LOUVERS MUST BE, AT LEAST, TWICE SURFACE OF COOLING AIR EXHAUST LOUVERS

2004	DATE	NAME	
Drawn	JJS		
Checked			
Estimated			
SCALE			
RECOMMENDED INSTALLATION DIMENSIONS			
SOUNDPROOF GENSET			
GSW530D-560D - 1500 RPM			
Replaced by		Replaced by	