



Alternatori sincroni trifasi  
a 2 poli autoregolati  
con spazzole.  
Protezione: IP 21, su richiesta IP 23  
Tensione standard: 231/400 V - 50 Hz  
Per fase rinforzata: 400 V trifase - 230 V monofase  
Corrente di cortocircuito superiore a 3.5 In  
Forme costruttive: IM B34 - B3/B14, IM B35  
B3/B9, IM B35 - J609b, SAE 5-6 1/2, SAE 5-7 1/2

Three-phase synchronous  
self-regulated brushes  
2 poles alternators.  
Protection: IP 21, on request IP 23  
Standard voltage: 231/400 V - 50 Hz  
For reinforced phase: 400 V three-phase - 230 V mono-phase  
Short circuit current greater than 3.5 In  
Shape: IM B34 - B3/B14, IM B35  
B3/B9, IM B35 - J609b, SAE 5-6 1/2, SAE 5-7 1/2



Caratteristiche tecniche / Technical characteristics

Tipo Type	Codice Code	50 Hz - 3000 r.p.m.		60 Hz - 3600 r.p.m.		Massa Mass kg	Dimensioni di ingombro - Overall dimensions									
		Potenza Power kVA	$\eta$ 4/4 $\cos\phi=0,8$ %	Potenza Power kVA	$\eta$ 4/4 $\cos\phi=0,8$ %		IM B34 • IM B35 c.23 - c.30					IM B35 - J609b				
							A	A'	B	C	D	A1	A1'	B1	C1	D1
ET 2 MAS	81301072..2	4.0	73	5.0	73.5	25.1	358	365	69	315	283	374	381	85	331	283
ET 2 MBS	81301095..2	5.5	75	6.9	76	28.3	358	365	69	315	283	374	381	85	331	283
ET 2 MCS	81301125..2	7.0	78	9.0	79	32.3	358	365	69	315	283	374	381	85	331	283
ET 2 LAS	81301150..2	8.5	81	10.5	82	36.8	413	420	124	370	338	429	436	140	386	338
ET 2 LBS	81301180..2	10.0	83	13.0	84	41.2	413	420	124	370	338	429	436	140	386	338
ET 2 MAF	81301072..203	4.0 (3~) 2.2 (1~)	75	5.0 (3~) 2.7 (1~)	75	25.1	358	365	69	315	283	374	381	85	331	283
ET 2 MBF	81301095..203	5.5 (3~) 3.2 (1~)	77	6.9 (3~) 4.0 (1~)	78	28.3	358	365	69	315	283	374	381	85	331	283
ET 2 MCF	81301125..203	7.0 (3~) 4.0 (1~)	89	9.0 (3~) 5.2 (1~)	81	32.5	358	365	69	315	283	374	381	85	331	283
ET 2 LAF	81301150..203	8.5 (3~) 5.0 (1~)	83	10.5 (3~) 6.3 (1~)	84	36.8	413	420	124	370	338	429	436	140	386	338
ET 2 LBF	81301180..203	10.0 (3~) 6.0 (1~)	85	13.0 (3~) 7.5 (1~)	86	41.2	413	420	124	370	338	429	436	140	386	338

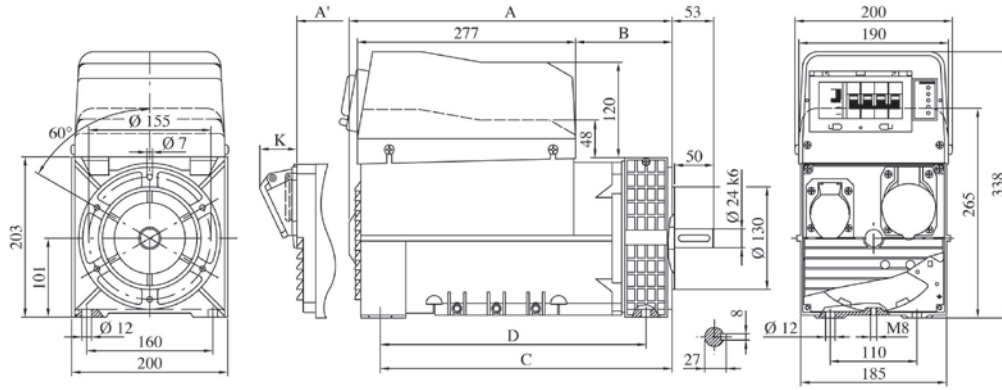


Alternatori sincroni trifasi  
a 2 poli con spazzole  
e regolazione elettronica della tensione (AVR).  
Protezione: IP 21, su richiesta IP 23  
Tensione standard: 231/400 V - 50 Hz  
Precisione di tensione:  $\pm 2\%$   
Forme costruttive: IM B34 - B3/B14, IM B35  
B3/B9, IM B35 - J609b, SAE 5-6 1/2, SAE 5-7 1/2

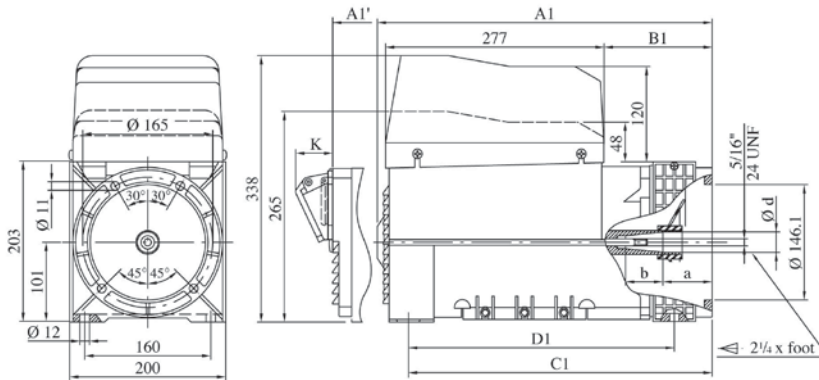
Three-phase brushes synchronous  
2 poles alternators  
with electronic voltage regulation (AVR).  
Protection: IP 21, on request IP 23  
Standard voltage: 231/400 V - 50 Hz  
Voltage accuracy:  $\pm 2\%$   
Shape: IM B34 - B3/B14, IM B35  
B3/B9, IM B35 - J609b, SAE 5-6 1/2, SAE 5-7 1/2

Caratteristiche tecniche / Technical characteristics

Tipo Type	Codice Code	50 Hz - 3000 r.p.m.		60 Hz - 3600 r.p.m.		Massa Mass kg	Dimensioni di ingombro - Overall dimensions									
		Potenza Power kVA	$\eta$ 4/4 $\cos\phi=0,8$ %	Potenza Power kVA	$\eta$ 4/4 $\cos\phi=0,8$ %		IM B34 • IM B35 c.23 - c.30					IM B35 - J609b				
							A	A'	B	C	D	A1	A1'	B1	C1	D1
ET 2 MAR	85301072..2	4.0	73	5.0	73.5	22.1	358	365	69	315	283	374	381	85	331	283
ET 2 MBR	85301095..2	5.5	75	6.9	76	25.3	358	365	69	315	283	374	381	85	331	283
ET 2 MCR	85301125..2	7.0	78	9.0	79	29.3	358	365	69	315	283	374	381	85	331	283
ET 2 LAR	85301150..2	8.5	81	10.5	82	33.8	413	420	124	370	338	429	436	140	386	338
ET 2 LBR	85301180..2	10.0	83	13.0	84	38.2	413	420	124	370	338	429	436	140	386	338



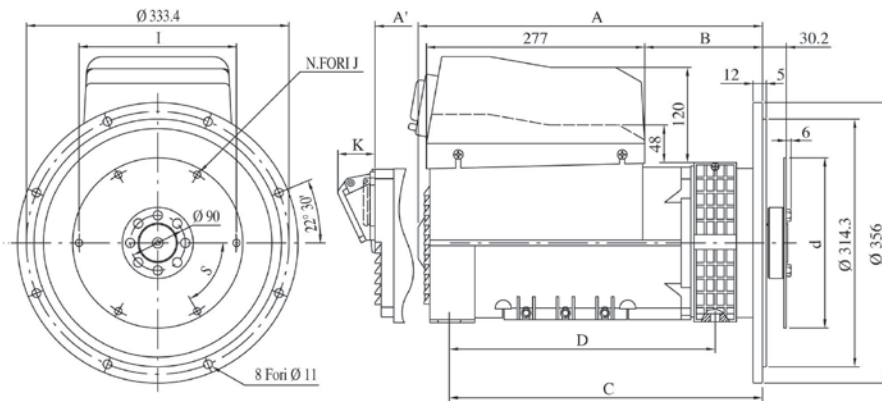
Forma costruttiva / Shape IM B34 - B3/B14 cod.E



Cono/Cone	d	a	b	cod.
22.14	22.14	81	32	D
25.4	25.4	63.5	49.5	D
35	30	39	72	F

	K
Prese Schuko / Schuko sockets	16
Prese CEE / CEE sockets	47

Forma costruttiva / Shape IM B35 - J609b cod.D/F

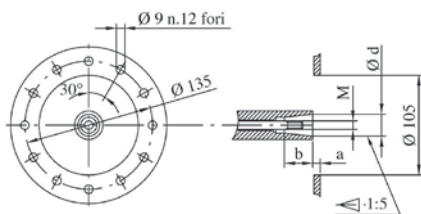


SAE	Giunto a dischi Disk joint					
	L	d	I	N.FORI	J	S
	6.5	30.2	215.9	200	6	9
7.5	30.2	241.3	222.2	8	9	45°

Tipo Type	Da - From IMB35 C.30				
	A	A'	B	C	D
ET2M--	370	377	81	327	283
ET2L--	425	432	136	382	338

Tipo Type	Da - From IMB35 J609b C.35				
	A	A'	B	C	D
ET2M--	386	393	97	343	283
ET2L--	441	448	152	398	338

Forma costruttiva / Shape SAE 5 cod.5



d	a	b	M	cod.
23	8	30	M8	A
30	16	30	M14	B

Forma costruttiva / Shape IM B35 - B3/B9 cod.A/B

