

Saldatrici rotanti a corrente continua.
 Protezione: IP21; a richiesta IP23.
 Tipo di elettrodi saldabili: tutti i tipi, inclusi
 basici e cellullosici.
 Fornita di protezione termica autoripristinabile
 contro i sovraccarichi.
 Utilizzabile anche come alternatore.
 Forme costruttive: IM B34 (B3/B14), IM B35
 (B3/B9), IM B35-J609b, SAE 5.



*Direct-current rotating welders.
 Protection: IP21; on request IP23.
 Weldable electrodes: all types, included ba-
 sic and cellulosic.
 Supplied with autoresettable thermal breaker
 against overload.
 Can also be used as alternator.
 Shape: IM B34 (B3/B14), IM B35 (B3/B9),
 IM B35-J609b, SAE 5.*

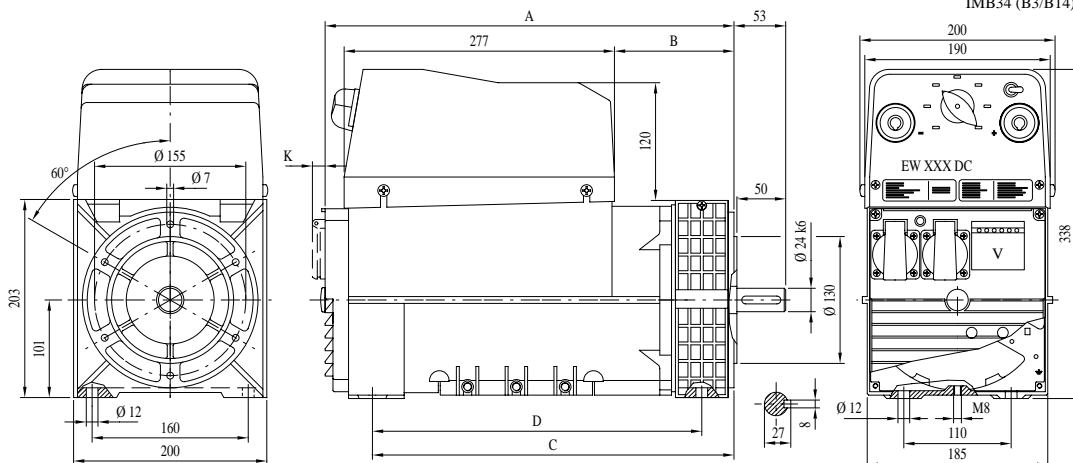
| Caratteristiche tecniche: Saldatrice - Technical characteristics: Welder | | | | | | | | |
|--|----------------|----------------------------|---------------------------------|---|--|---|---------------------|--|
| TIPO TYPE | CODICE CODE | VELOCITÀ SPEED (rpm) | MASSA MASS IM B35 (kg) | Corrente di saldatura (DC) Welding current (DC) (A) | Tensione di innesco Strike voltage (V) | Tensione di saldatura Welding voltage (V) | SERVIZIO DUTY | POTENZA ASSORBITA DRIVING POWER |
| EW 170 DC | 96201125.A2 | 3000 | 34 | 45÷170 | 80 | 21.8÷26.6 | 170A-50% | 7.5kW - 9.5Hp |
| EW 200 DC | 96201180.A2 | 3000 | 43 | 50÷200 | 75 | 22÷28 | 200A-35% / 170A-60% | 8.5kW - 11.5Hp |
| EW 220 DC | 96301180.X2 | 3000 | 44 | 40÷220 | 73 | 21.5÷28.8 | 220A-35% / 170A-60% | 9kW - 12.5Hp |
| EW 220 MDC | 96201180.A206 | 3000 | 44 | 40÷220 | 76 | 21.6÷28.6 | 220A-35% / 170A-60% | 9kW - 12.5Hp |
| EW 190 DC | 96201125.F2 | 3600 | 34 | 50÷190 | 82 | 22÷27.6 | 190A-50% | 8kW - 11Hp |
| EW 210 DC | 96201180.F2 | 3600 | 43 | 50÷210 | 82 | 22÷28.4 | 210A-35% / 170A-60% | 10kW - 13Hp |
| EW 240 MDC | 96201180.F206 | 3600 | 43 | 50÷240 | 90 | 22÷29.6 | 240A-35% / 180A-60% | 11kW - 15Hp |

| Caratteristiche tecniche: Generatore - Technical characteristics: Alternator | | | | | | | | | |
|--|----------------|---|----------------------------|--|--------------------------------|---|----------------------------|--|--------------------------------|
| TIPO TYPE | CODICE CODE | Trifase (cosφ=1) - Three phase (cosφ=1) | | | | Monofase (cosφ=1) - Single phase (cosφ=1) | | | |
| | | POTENZA POWER (S1) (kVA) | TENSIONE VOLTAGE (V) | CORRENTE (Max. S1) CURRENT (Max. S1) (A) | FREQUENZA FREQUENCY (Hz) | POTENZA POWER (S1) (kVA) | TENSIONE VOLTAGE (V) | CORRENTE (Max. S1) CURRENT (Max. S1) (A) | FREQUENZA FREQUENCY (Hz) |
| EW 170 DC | 96201125.A2 | --- | --- | --- | --- | 3 | 115÷230 | 13÷26 | 50 |
| EW 200 DC | 96201180.A2 | --- | --- | --- | --- | 4 | 115÷230 | 17.4÷34.7 | 50 |
| EW 220 DC | 96301180.X2 | 6.5 | 400 | 9.4 | 50 | 3.5 | 231 | 15.2 | 50 |
| EW 220 MDC | 96201180.A206 | --- | --- | --- | --- | 5 | 115÷230 | 21.7÷43.5 | 50 |
| EW 190 DC | 96201125.F2 | --- | --- | --- | --- | 3.5 | 120÷240 | 14.6÷29.1 | 60 |
| EW 210 DC | 96201180.F2 | --- | --- | --- | --- | 4 | 120÷240 | 16.7÷33.3 | 60 |
| EW 240 MDC | 96201180.F206 | --- | --- | --- | --- | 5.5 | 120÷240 | 23÷46 | 60 |

| Dimensioni - Dimensions | | | | | | | | |
|-------------------------|------------------------------|-----|-----|-----|---------------|-----|-----|-----|
| TIPO TYPE | IMB34 IMB35 (C.23 - C.30) | | | | IMB35 - J609b | | | |
| | A | B | C | D | A1 | B1 | C1 | D1 |
| EW 170 DC | 365 | 69 | 315 | 283 | 381 | 85 | 331 | 283 |
| EW 200 DC | 420 | 124 | 370 | 338 | 436 | 140 | 386 | 338 |
| EW 220 DC | 420 | 124 | 370 | 338 | 436 | 140 | 386 | 338 |
| EW 220 MDC | 420 | 124 | 370 | 338 | 436 | 140 | 386 | 338 |
| EW 190 DC | 365 | 69 | 315 | 283 | 381 | 85 | 331 | 283 |
| EW 210 DC | 420 | 124 | 370 | 338 | 436 | 140 | 386 | 338 |
| EW 240 MDC | 420 | 124 | 370 | 338 | 436 | 140 | 386 | 338 |

Dimensioni d'ingombro - Overall dimensions

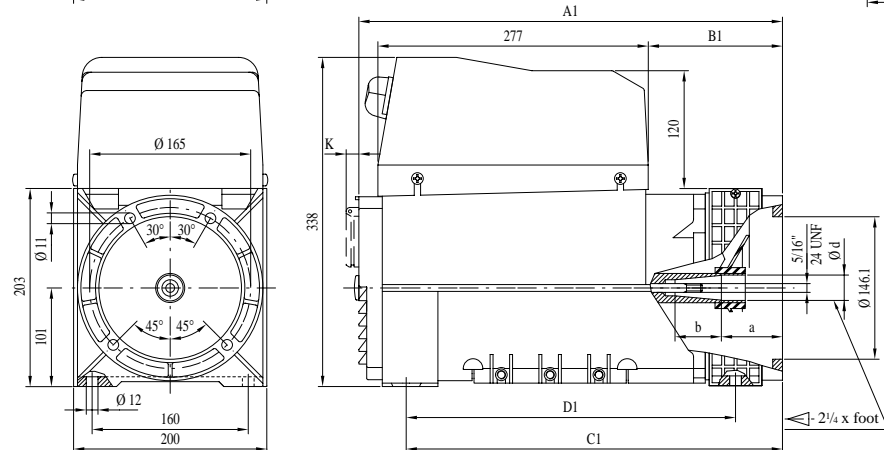
FORMA COSTRUTTIVA - SHAPE:
IMB34 (B3/B14) cod. E



FORMA COSTRUTTIVA - SHAPE:
IMB35 - J609b cod. ...

| Cono/Cone | d | a | b | cod. |
|-----------|-------|------|------|------|
| 22.14 | 22.14 | 81 | 32 | D |
| 25.4 | 25.4 | 63.5 | 49.5 | D |
| 35 | 30 | 39 | 72 | F |

| | K |
|-------------------------------|----|
| Prese Schuko / Schuko sockets | 16 |
| Prese CEE / CEE sockets | 47 |

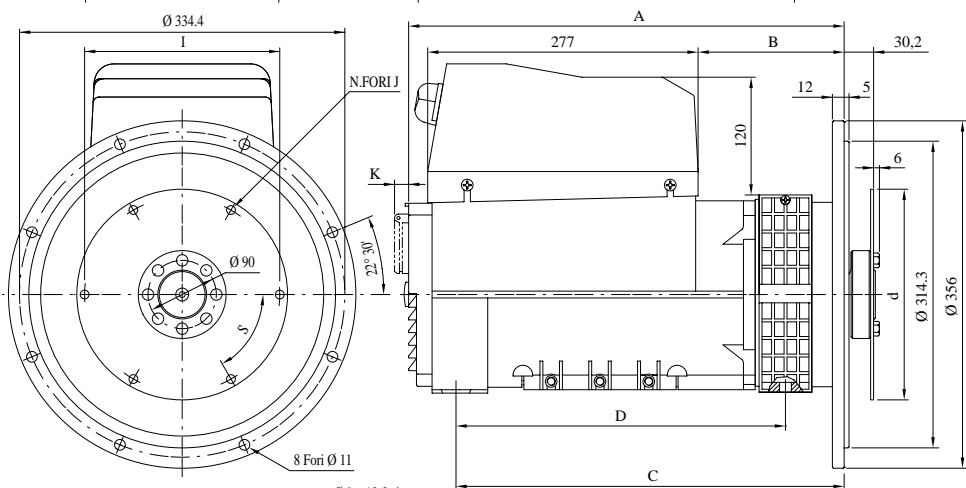


FORMA COSTRUTTIVA - SHAPE:
SAE 5

| SAE | Giunto a dischi Disk joint | | | | | |
|-----|-------------------------------|-------|-------|--------|---|-----|
| | L | d | I | N.FORI | J | S |
| 6.5 | 30.2 | 215.9 | 200 | 6 | 9 | 60° |
| 7.5 | 30.2 | 241.3 | 222.2 | 8 | 9 | 45° |

| Tipo Type | Da - From IMB35 C.30 | | | |
|----------------|-------------------------|-----|-----|-----|
| | A' | B | C | D |
| EW170DC | 377 | 81 | 327 | 283 |
| EW190DC | 377 | 81 | 327 | 283 |
| EW200-220(M)DC | 432 | 136 | 382 | 338 |
| EW210-240(M)DC | 432 | 136 | 382 | 338 |

| Tipo Type | Da - From IMB35 J609b C.35 | | | |
|----------------|-------------------------------|-----|-----|-----|
| | A' | B | C | D |
| EW170DC | 393 | 97 | 343 | 283 |
| EW190DC | 393 | 97 | 343 | 283 |
| EW200-220(M)DC | 448 | 152 | 398 | 338 |
| EW210-240(M)DC | 448 | 152 | 398 | 338 |



FORMA COSTRUTTIVA - SHAPE:
IMB35 (B3/B9) cod. ...

| d | a | b | M | cod. |
|----|----|----|-----|------|
| 23 | 8 | 30 | M8 | A |
| 30 | 16 | 30 | M14 | B |

