



Generatori sincroni monofasi a 2 e 4 poli autoregolati senza spazzole (brushless). Protezione: IP21. Tensione standard: 115/230 V - 50 Hz. Corrente di corto circuito: superiore a 3 In. Forme costruttive: IM B34 (B3/B14), IM B35 (B3/B9), IM B35-J609b, SAE 4, SAE 5.

Single-phase synchronous self-regulated brushless 2 and 4 poles alternators. Protection: IP21. Standard voltage: 115/230 V - 50 Hz. Short circuit current: greater than 3 In. Shape: IM B34 (B3/B14), IM B35 (B3/B9), IM B35-J609b, SAE 4, SAE 5.

Caratteristiche tecniche 2 poli - Technical characteristics 2 poles							
TIPO TYPE	CODICE CODE	50 Hz - 3000 r.p.m.		60 Hz - 3600 r.p.m.		MASSA MASS	
		POTENZA POWER (kVA)	η 4/4 $\cos\phi=1$ (%)	POTENZA POWER (kVA)	η 4/4 $\cos\phi=1$ (%)	B35/B34 (kg)	B2SAE (kg)
GK2MAL	81206145..2	15	79	18.5	80	68	76
GK2MBL	81206170..2	17.5	80	22	82	88	96

Caratteristiche tecniche 4 poli - Technical characteristics 4 poles							
		50 Hz - 1500 r.p.m.		60 Hz - 1800 r.p.m.			
GK4SBL	84204085..2	5	76	6.2	77	47	53
GK4SCL	84204105..2	6.5	78	8.1	79	56	62
GK4MAL	84204145..2	8	80	10	81	67	75
GK4MBL	84204170..2	10	81	12.5	82	78	86



Generatori sincroni trifasi a 2 e 4 poli autoregolati a spazzole. Protezione: IP21. Tensione standard: 231/400 V - 50 Hz. Corrente di corto circuito: superiore a 3.5 In. Forme costruttive: IM B34 (B3/B14), IM B35 (B3/B9), IM B35-J609b, SAE 4, SAE 5.

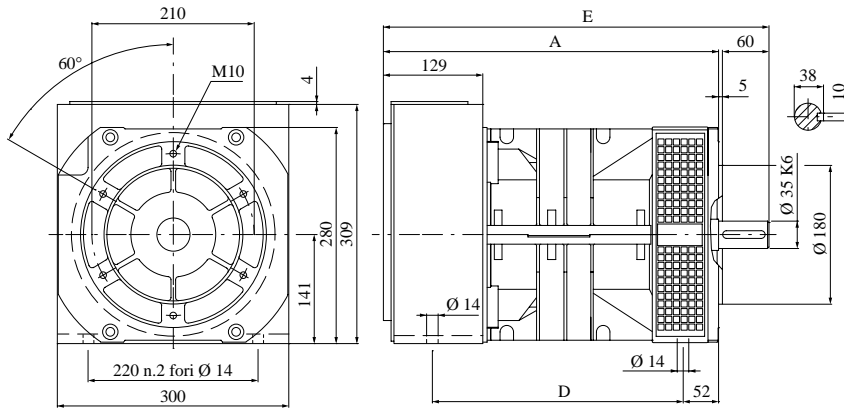
Three-phase synchronous self-regulated brush 2 and 4 poles alternators. Protection: IP21. Standard voltage: 231/400 V - 50 Hz. Short circuit current: greater than 3.5 In. Shape: IM B34 (B3/B14), IM B35 (B3/B9), IM B35-J609b, SAE 4, SAE 5.

Caratteristiche tecniche 2 poli - Technical characteristics 2 poles									
TIPO TYPE	CODICE CODE	50 Hz - 3000 r.p.m.			60 Hz - 3600 r.p.m.			MASSA MASS	
		POTENZA POWER (kVA)	η 4/4 $\cos\phi=0.8$ (kW)	η 4/4 $\cos\phi=0.8$ (%)	POTENZA POWER (kVA)	η 4/4 $\cos\phi=0.8$ (kW)	η 4/4 $\cos\phi=0.8$ (%)	B35/B34 (kg)	B2SAE (kg)
GT2MAS	81306145..2	22	18	83	27.5	22	84	74	82
GT2MBS	81306170..2	27	21.6	85	34	27	86	84	92

Caratteristiche tecniche 4 poli - Technical characteristics 4 poles									
		50 Hz - 1500 r.p.m.			60 Hz - 1800 r.p.m.				
GT4SAS	81304070..2	6.5	5.2	74	8	6.5	75	48	56
GT4SBS	81304085..2	8	6.4	77	10	8	78	53	61
GT4SCS	81304105..2	10	8	78	12.5	10	79	62	70
GT4MAS	81304145..2	13.5	10.8	80	16.9	13.5	81	75	83
GT4MBS	81304170..2	16	12.8	82	20	16	83	86	94

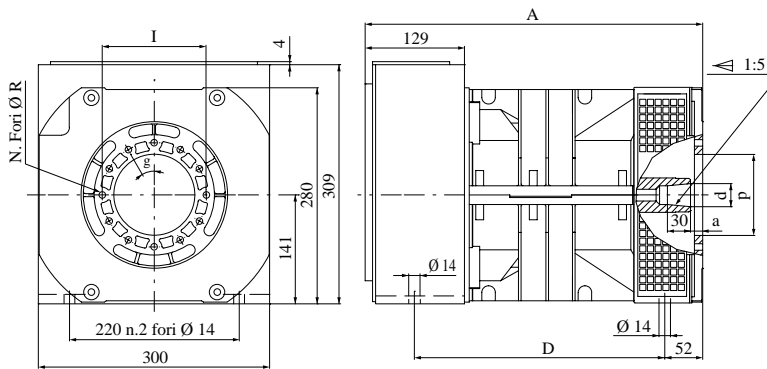


Dimensioni d'ingombro - Overall dimensions



FORMA COSTRUTTIVA - SHAPE:
IMB34 (B3/B14) cod. E

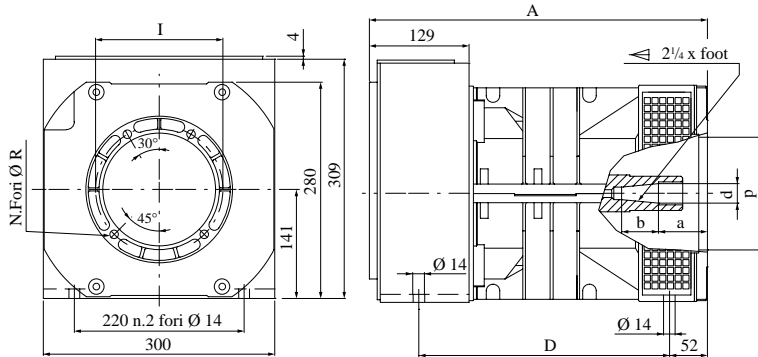
Tipo Type	A	D	E
GK-S / GT-S	438	322	503
GK-M / GT-M	498	382	563



FORMA COSTRUTTIVA - SHAPE:
IMB35 (B3/B9) cod. ...

Tipo Type	A	D
GK-S / GT-S	438	322
GK-M / GT-M	498	382

Albero Shaft		Flangia Flange					cod.
d	a	I	p	N.Fori	R	g	
30	16	135	105	12	9	30°	B
38	5	150	125	4	12	90°	G

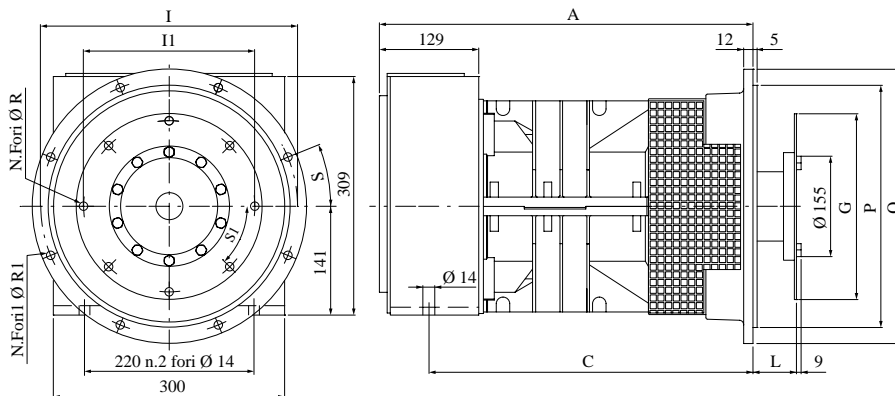


FORMA COSTRUTTIVA - SHAPE:
IMB35 - J609b cod. ...

Tipo Type	A	D
GK-S / GT-S	438	322
GK-M / GT-M	498	382

Albero Shaft		cod.
d	a	b
25.4	63.5	48
35	12.4	71

Flangia Flange		
I	p	N.Fori
165	146.1	4
197	163.6	4
197	177.8	4



FORMA COSTRUTTIVA - SHAPE: SAE

Tipo Type	A	C
GK-S / GT-S	485	421
GK-M / GT-M	545	481

SAE	Flangia Flange				
	Q	P	I	N.Foril	R1
4	405	362	381	12	11
5	358	314.3	333.4	8	11

SAE	Giunto a dischi Disk joint				
	L	G	II	N.Foril	R
6.5	30.2	215.9	200	6	9
7.5	30.2	241.3	222.2	8	9
8	62	263.5	244.5	6	11
10	53.8	314.3	295.3	8	11